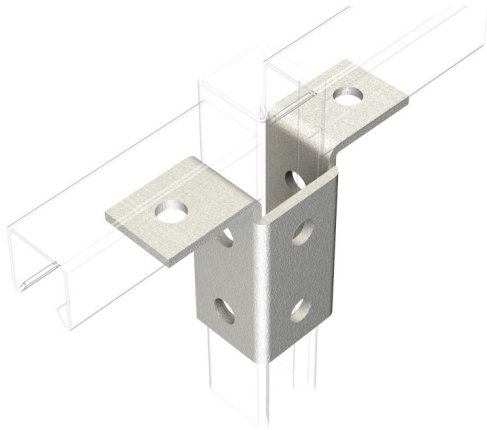


PRODUCT CODE: MP32
CHANNEL BRACKET



DESCRIPTION

2 Lug Wing Bracket

FINISH

Hot Dipped Galvanised

MATERIAL

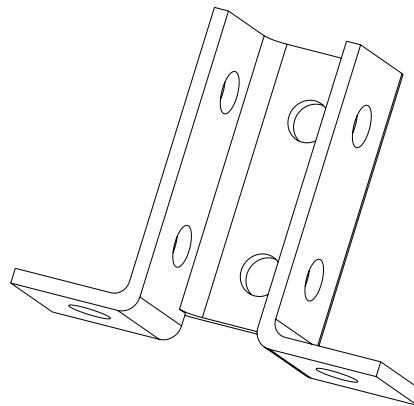
Steel

PACKAGING

Packed in qty 10

ADDITIONAL NOTES

Compliant to LU Standard 1-085 (for use on surface & sub-surface locations)



Isometric view

